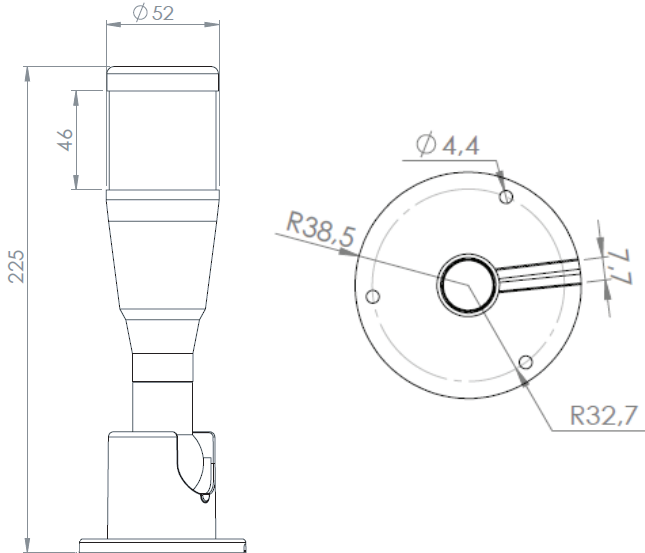




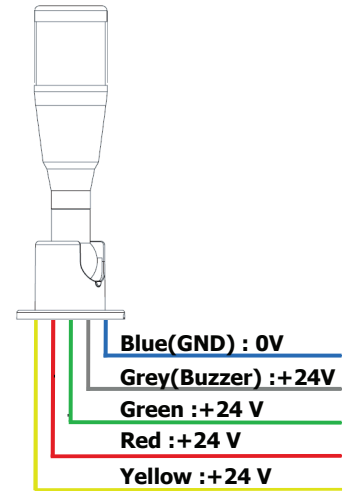
### Technical Data - Electrical Ratings

Voltage Supply	24V DC
Signal Type	Continuous
Light Colors	Red, Yellow, Green
Power Consumption	R: 1,4 W    Y:0.9 W G: 0.9 W    Bzr: 0,5W
Connection	Cable
Buzzer Output	90 dB @ 1 meter
Buzzer Tone Type	Pulse
Dimensions	77,5 x 51,3 x 227,7mm
Weight Approx	400g
Protection	IP65
Body Material	Anodized Aluminum
Mounting	Base Mount
Luminous Source	LED
Lens Material	PC

### Technical Drawings



### Connections



### Code Key

### İL - XPRO - 243B

#### SERIES

Pro Series Light

#### BUZZER

**Blank:** No Buzzer  
**B** : With Buzzer

#### VOLTAGE SUPPLY

24 VDC

#### NUMBER OF SEGMENTS

**1** : R  
**2** : R/G  
**3** : R/G/Y