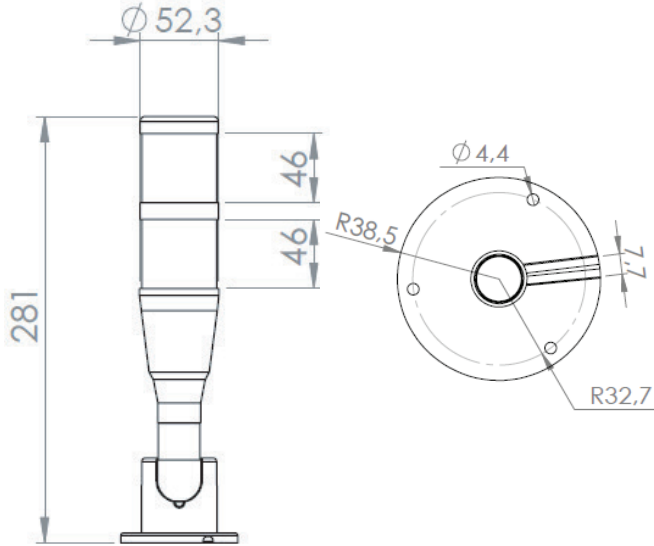




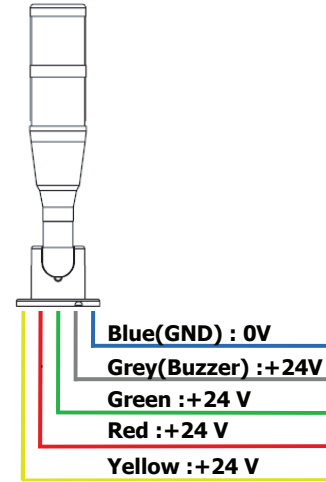
Technical Data - Electrical Ratings

Voltage Supply	24V DC
Signal Type	Continuous
Light Colors	Red, Yellow, Green
Power Consumption	R: 1,4 W Y:0,9 W G: 0,9 W Bzr: 0,5W
Connection	Cable
Buzzer Output	90 dB @ 1 meter
Buzzer Tone Type	Pulse
Dimensions	77,5 x 51,3 x 281mm
Weight Approx	425g
Protection	IP65
Body Material	Anodized Aluminum
Mounting	Base Mount
Luminous Source	LED
Lens Material	PC

Technical Drawings



Connections



Code Key

İL - XPRO - 243B

SERIES

Pro Series Light

VOLTAGE SUPPLY

24 VDC

BUZZER

Blank: No Buzzer
B : With Buzzer

NUMBER OF SEGMENTS

1 : R
2 : R/G
3 : R/G/Y